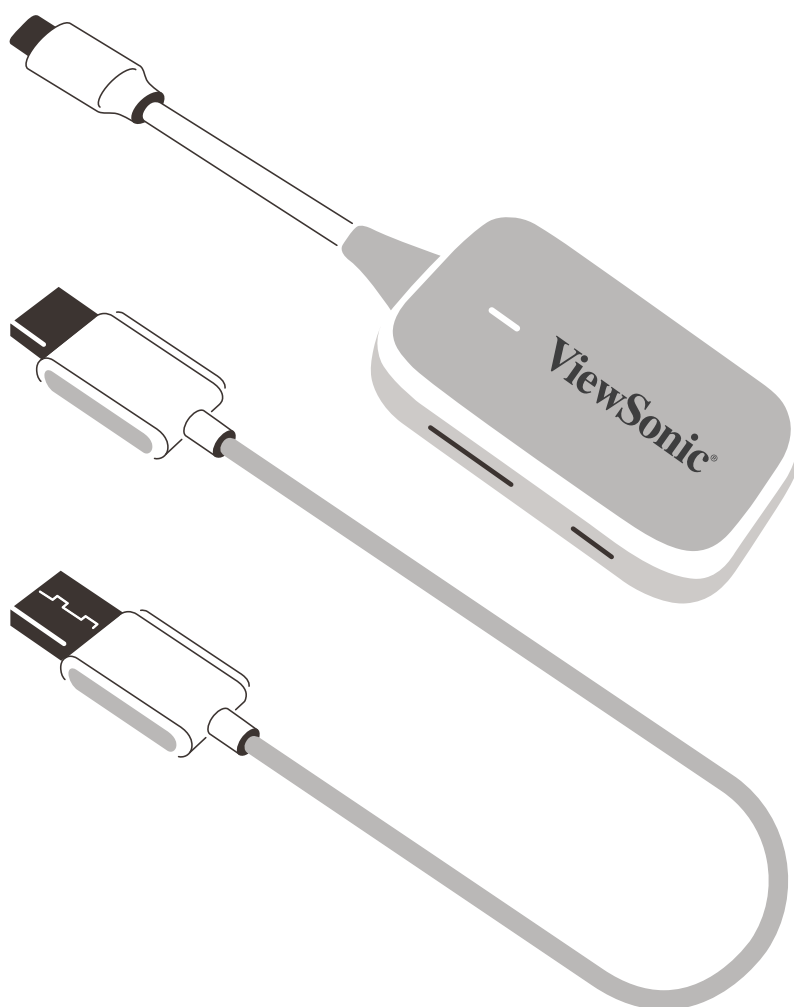


PJ-WPD-700

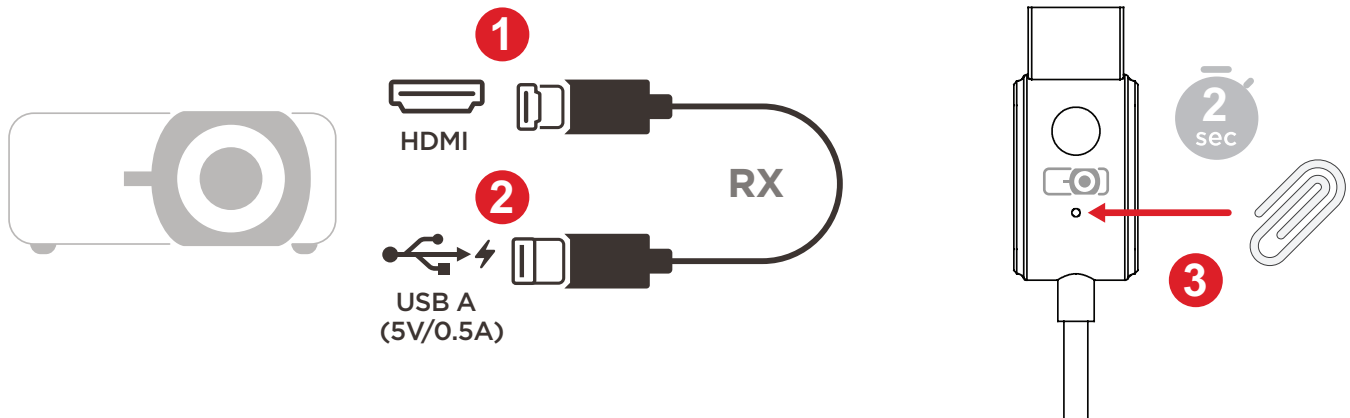
How to Pair the Transmitter

How to Update the Device Firmware



Pairing the Transmitter to the Receiver

While it is not necessary to pair the Transmitter and Receiver out of the box, they can be re-paired if there are any connection issues. Additionally, up to eight (8) Transmitters can be paired with one Receiver.



1. Connect the Receiver's HDMI Output to an **HDMI** port of the projector.

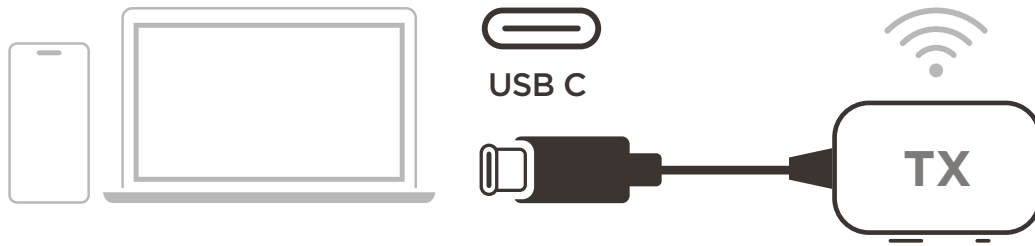
NOTE: Ensure the projector is also turned on.

2. Plug the Receiver's USB A Input into the **USB A** port of the projector that can provide 5V/0.5A power.

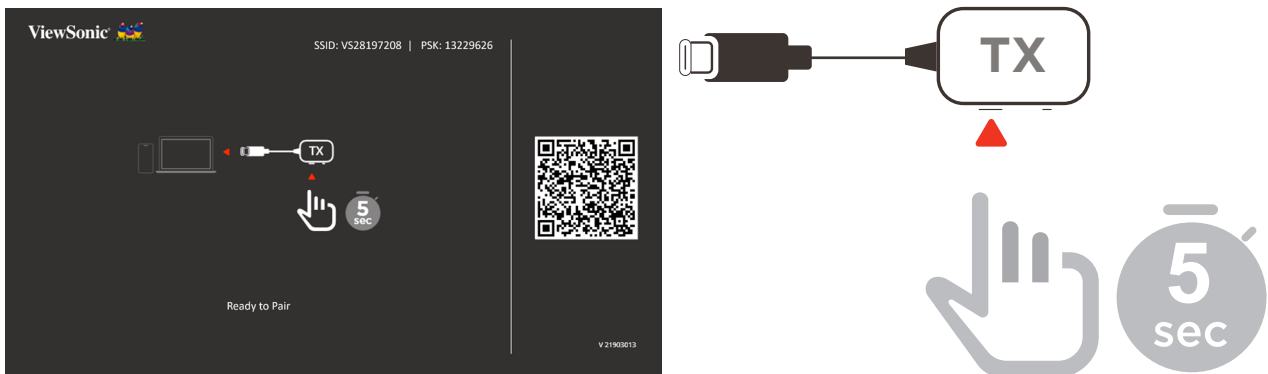
3. On the Receiver's HDMI Output, use a paper clip or SIM-eject tool to press and hold the Reset button for approximately two seconds until the projected image displays, "Release the button to pair with transmitter", then release the Reset button.

NOTE: Pressing and holding for two seconds will activate the pairing mode of the Transmitter. If you continue to press and hold for 10 seconds, that will reset the Receiver to default settings.

4. Connect the Transmitter's USB C Input to a **USB C** port of the casting device (e.g., laptop, mobile phone, tablet).

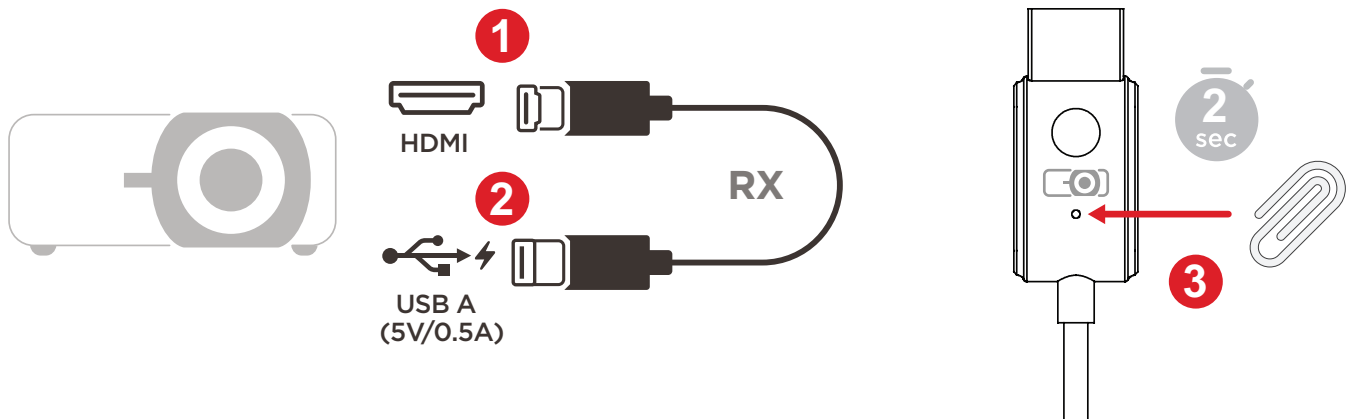


5. While the projected image displays, "Ready to Pair", press and hold the Pair Button on the Transmitter for five seconds. Once paired, casting will start automatically.



NOTE: A maximum of eight Transmitters can be paired to one Receiver.

Device Updates

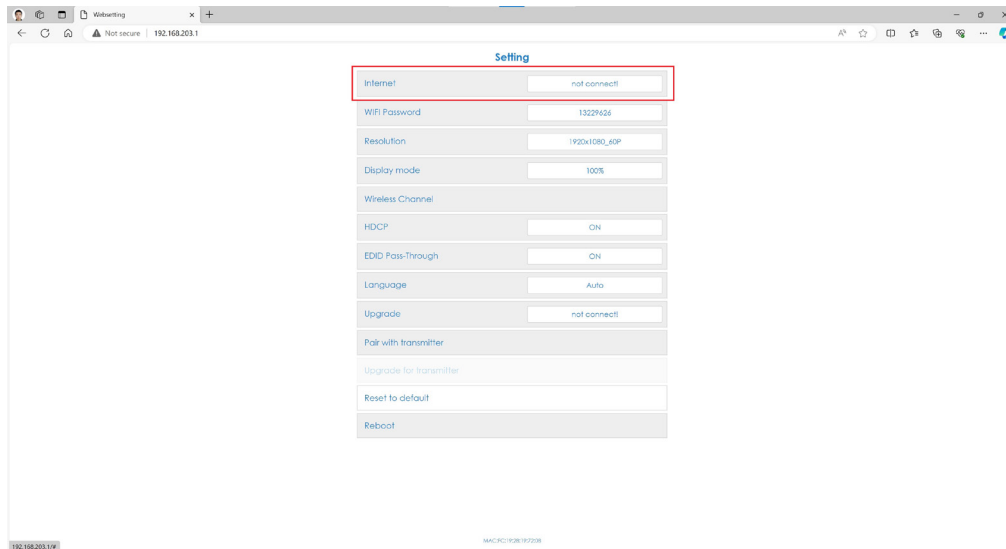


1. Connect the Receiver's HDMI Output to an **HDMI** port of the projector.
NOTE: Ensure the projector is also turned ON.
2. Plug the Receiver's USB A Input into the **USB A** port of the projector that can provide 5V/0.5A power.
3. On the Receiver's HDMI Output, use a paper clip or SIM-eject tool to press and hold the Reset button for approximately two seconds until the projected image displays the SSID and PSK of the Receiver, then release the Reset button.

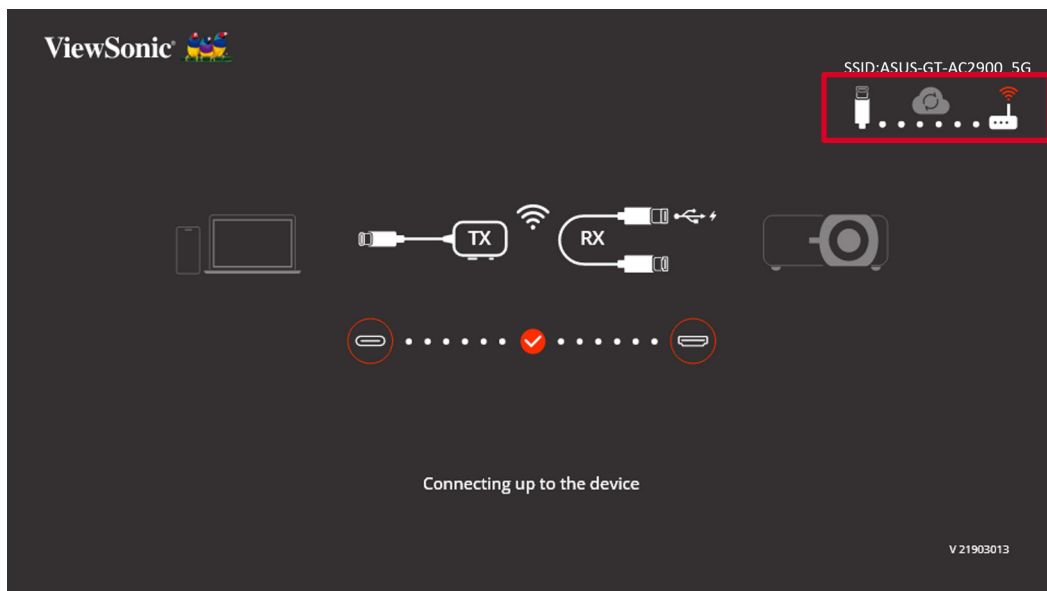


4. Open the Wi-Fi settings page on your phone or computer.
5. Connect to the SSID of the Receiver and enter the PSK displayed on the projected image to complete the connection.
6. Open an internet browser on your phone or computer and enter **192.168.203.1** in the address bar.

7. Enter the settings page, turn on internet settings, and connect the Receiver to the network.



8. Check the icons at the top right of the projected image and verify that the Receiver is connected to the Internet network.



9. After connecting the Receiver to the network, return to the settings page and select “Upgrade”.

10. The system will check the current firmware version of the Receiver. If there is a newer version, select “Agree” to update.

11. During the firmware upgrade, please ensure that the power remains on and that the device stays connected to the internet.

NOTE: If the Transmitter does not connect, the “Upgrade for transmitter” function cannot be selected.



ViewSonic®